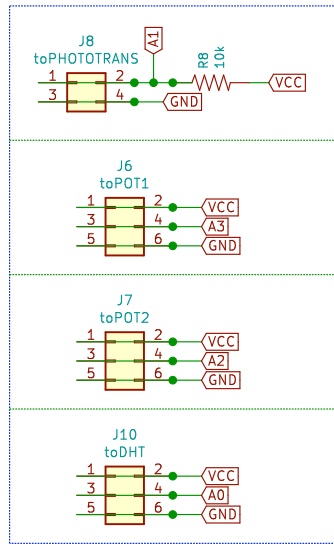
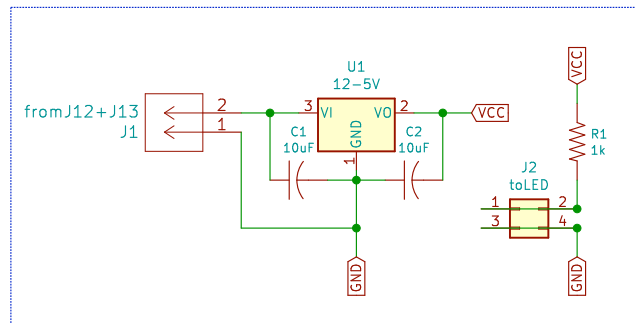
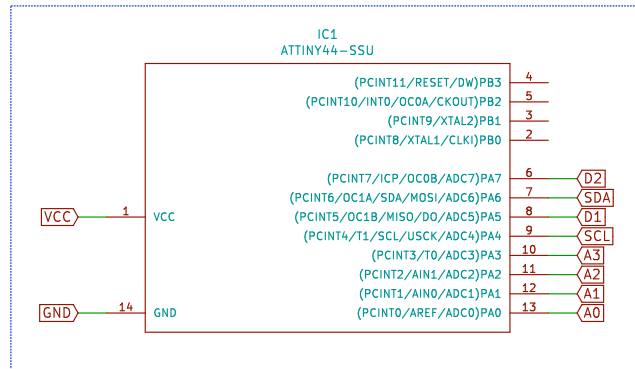


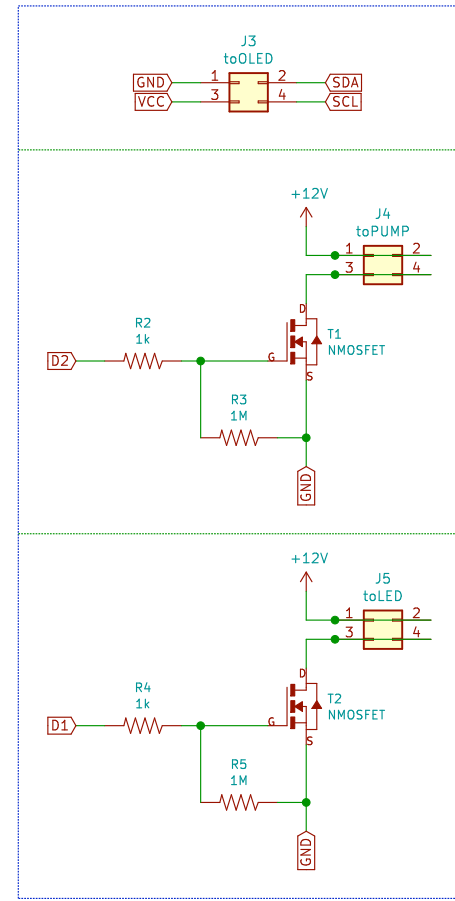
INPUTS



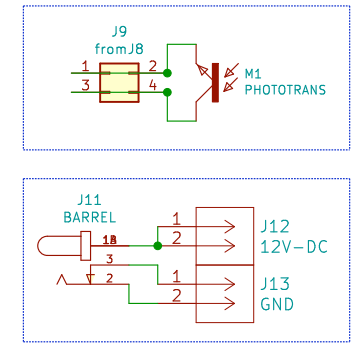
MCU



OUTPUTS



EXTRA BOARDS



Sheet: /		File: farming.v3.sch	
Title:			
Size: A4	Date:	Rev:	
KiCad E.D.A. eeschema (5.1.5-0-10_14)		Id: 1/1	