

Stepper Motor NEMA 17

This document describes mechanical and electrical specifications for PBC Linear stepper motors; including standard, hollow, and extended shaft variations.

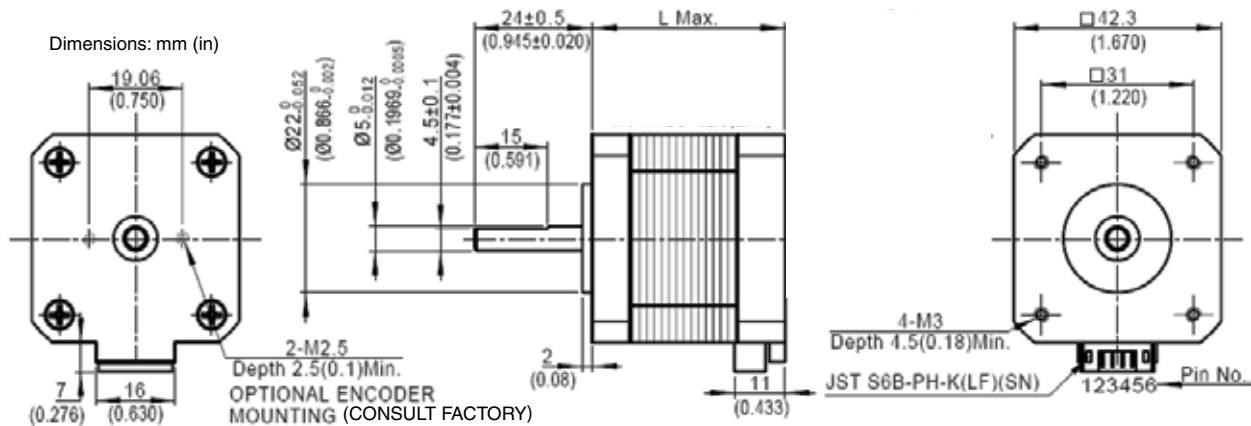


Phases	2
Steps/Revolution	200
Step Accuracy	±5%
Shaft Load	20,000 Hours at 1000 RPM
Axial	25 N (5.6 lbs.) Push 65 N (15 lbs.) Pull
Radial	29 N (6.5 lbs.) At Flat Center
IP Rating	40
Approvals	RoHS
Operating Temp	-20° C to +40° C
Insulation Class	B, 130° C
Insulation Resistance	100 MegOhms

Standard shaft motor shown.

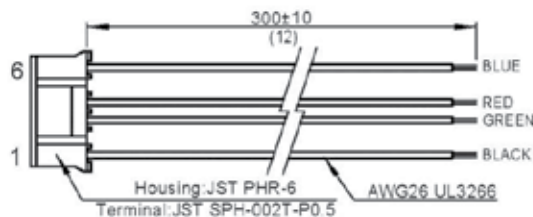
Description	Length	Mounted Rated Current	Mounted Holding Torque		Winding Ohms mH		Detent Torque		Rotor Inertia		Motor Weight	
			Nm Typ.	oz-in Typ.	±10% @ 20°C Typ.	Typ.	mNm	oz-in	g cm2	oz-in2	kg	lbs
(Stack)	"L" Max	Amps										
Single	39.8 mm (1.57 in)	2	0.48	68	1.04	2.2	15	2.1	57	0.31	0.28	0.62
Double	48.3 mm (1.90 in)	2	0.63	89	1.3	2.9	25	3.5	82	0.45	0.36	0.79
Triple	62.8 mm (2.47 in)	2	0.83	120	1.49	3.8	30	4.2	123	0.67	0.6	1.3

*All standard motors have plug connector. Consult factory for other options.



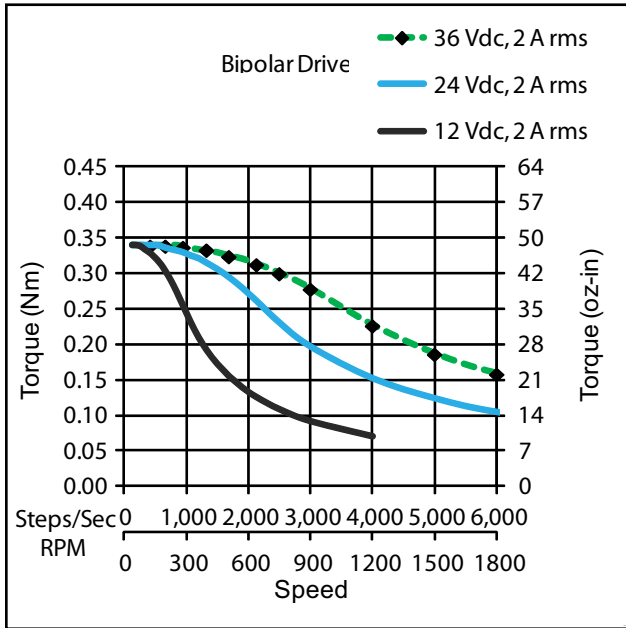
Standard shaft dimensions shown. All other dimensions apply to hollow and extended shaft options.

Dimensions: mm (in)
4 Lead Connector, PBC Part#6200490
(Consult factory for optional motor connectors)

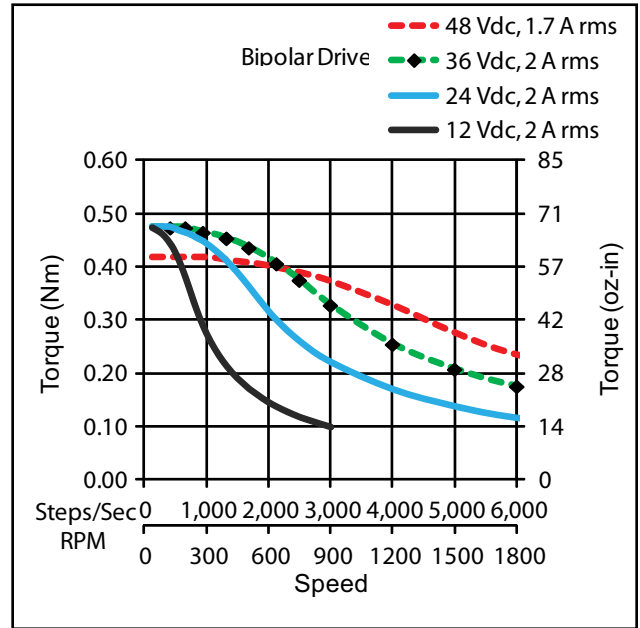


NEMA 17 Stepper Motor

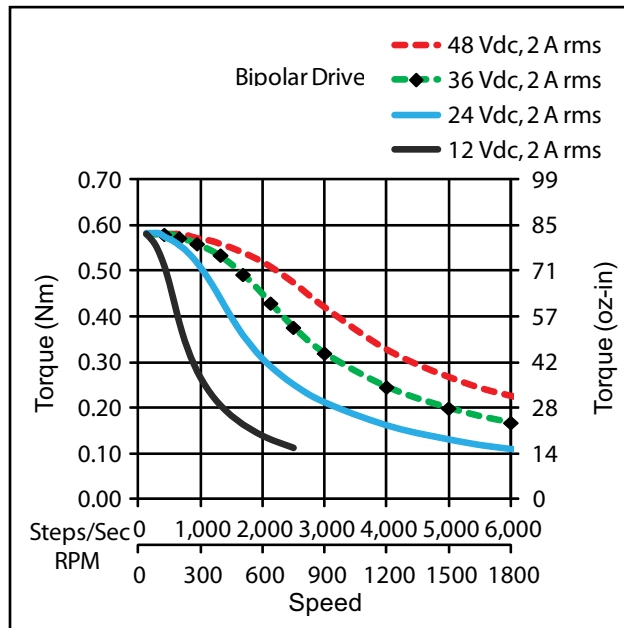
*Performance curves apply to continuous duty cycles.
Consult factory for intermittent cycles or other voltages.



Single Stack



Double Stack



Triple Stack

Stepper Motor NEMA 23

This document describes mechanical and electrical specifications for PBC Linear stepper motors; including standard, hollow, and extended shaft variations.

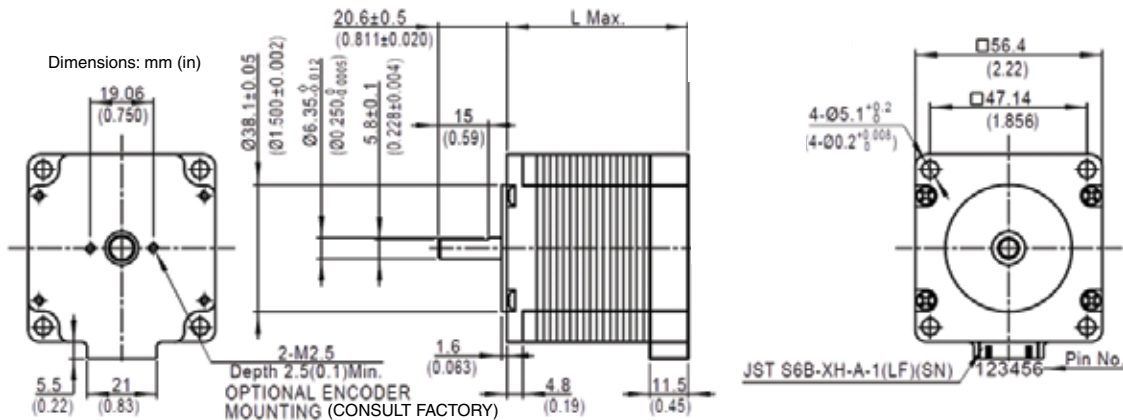


Standard shaft motor shown.

Phases	2
Steps/Revolution	200
Step Accuracy	±5%
Shaft Load	20,000 Hours at 1000 RPM
Axial	40 N (9 lbs.) Push 130 N (30 lbs.) Pull
Radial	70 N (15.5 lbs.) At Flat Center
IP Rating	40
Approvals	RoHS
Operating Temp	-20° C to +40° C
Insulation Class	B, 130° C
Insulation Resistance	100 MegOhms

Description	Length	Mounted Rated Current	Mounted Holding Torque		Winding Ohms mH		Detent Torque		Rotor Inertia		Motor Weight	
			Nm Typ.	oz-in Typ.	±10% @ 20°C	Typ.	mNm	oz-in	g cm2	oz-in2	kg	lbs
(Stack)	"L" Max	Amps										
Single	55.0 mm (2.17 in)	2.2	1.50	210	1.6	6.9	45	6.4	220	1.2	0.6	1.3
Double	77.0 mm (3.03 in)	3	2.30	330	1.1	4.5	75	11	390	2.1	1	2.2
Power Plus (Triple)	77.0 mm (3.03 in)	3	3.30	470	1.1	3.7	150	21	390	2.1	1.1	2.4

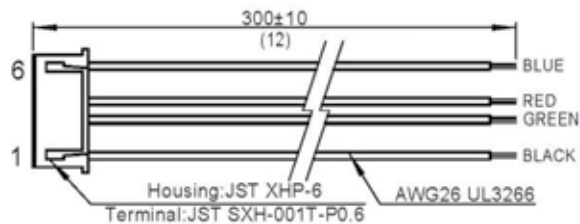
*All standard motors have plug connector. Consult factory for other options.



Motor with leads: Lead wire is 22 AWG UL3266, 300 ±10 (12 ±.5) long

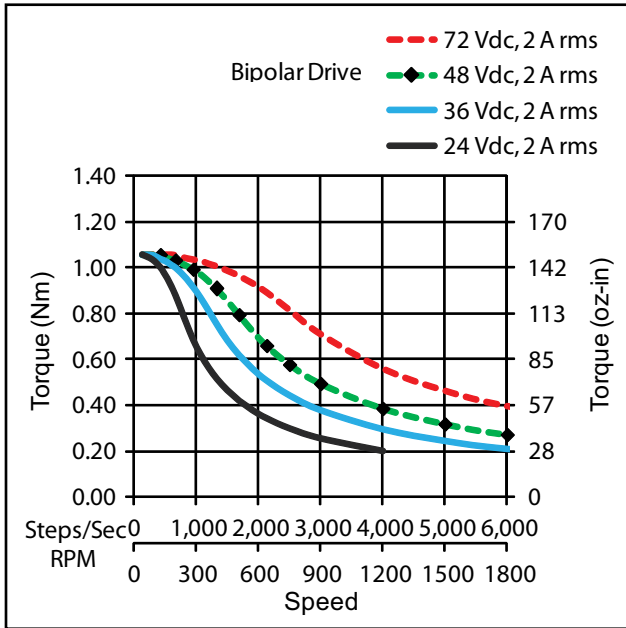
Standard shaft dimensions shown. All other dimensions apply to hollow and extended shaft options.

Dimensions: mm (in)
4 Lead Connector, PBC Part#6200491
(Consult factory for optional motor connectors)

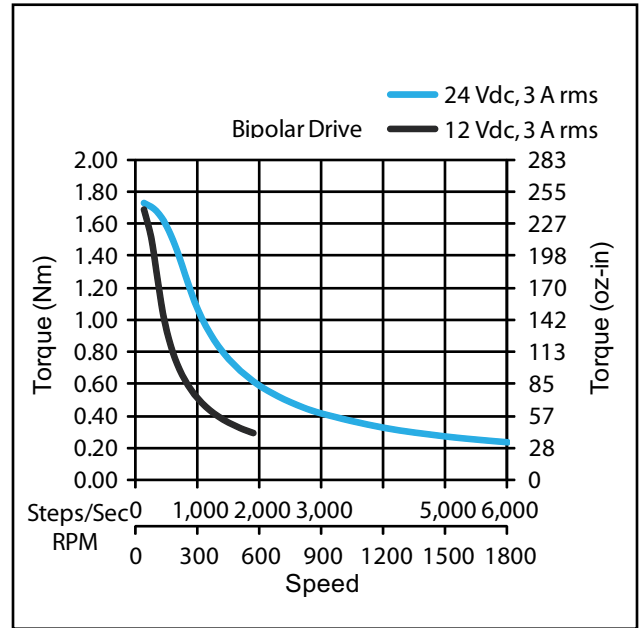


NEMA 23 Stepper Motor

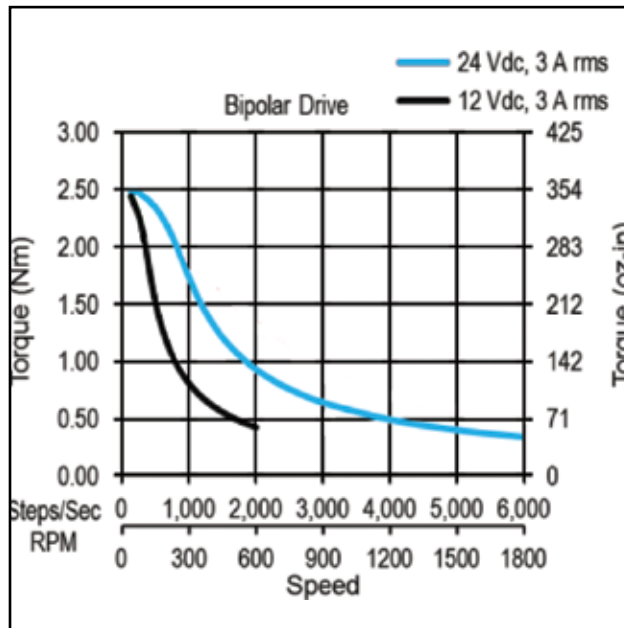
*Performance curves apply to continuous duty cycles.
Consult factory for intermittent cycles or other voltages.



Single Stack



Double Stack



Power Plus (Triple Stack)