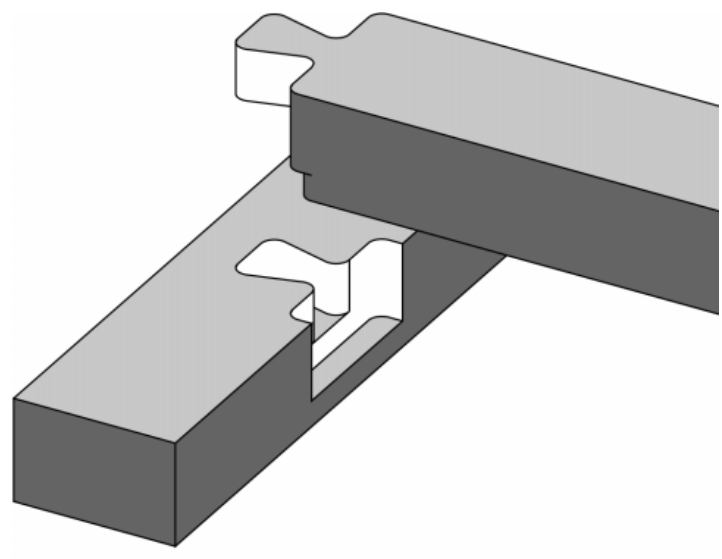
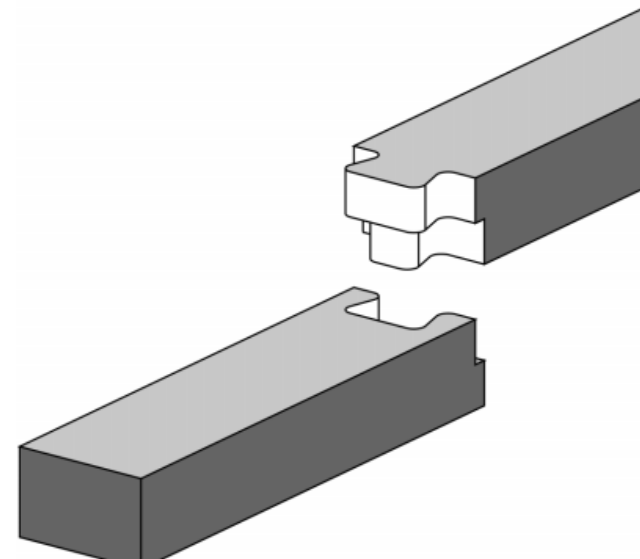


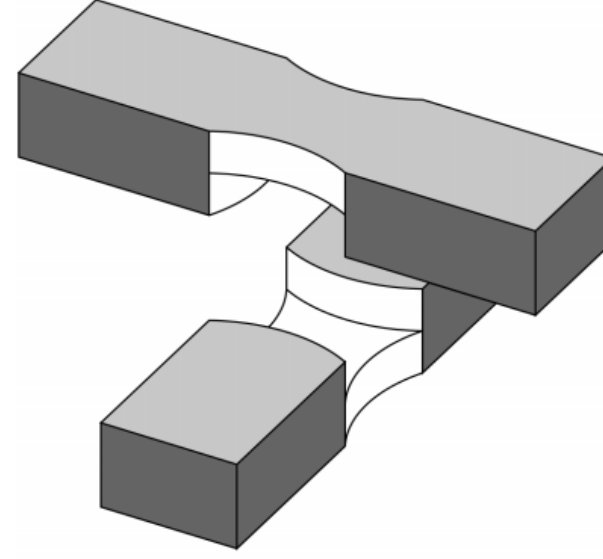
# 50 DIGITAL JOINTS



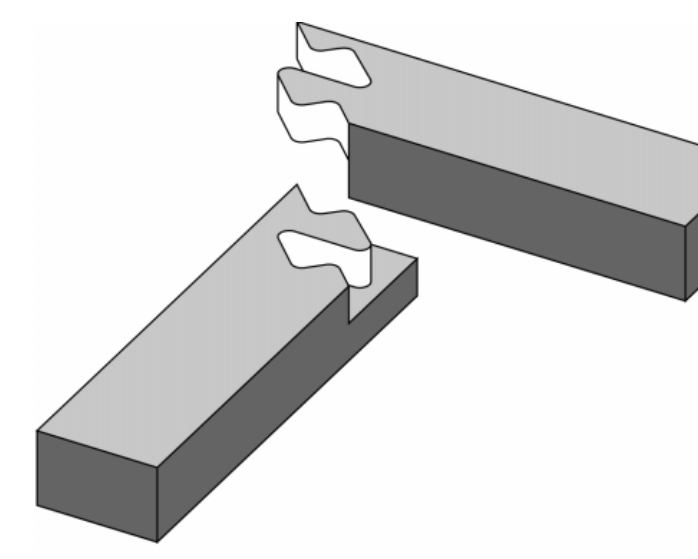
Halved Dovetail Corner



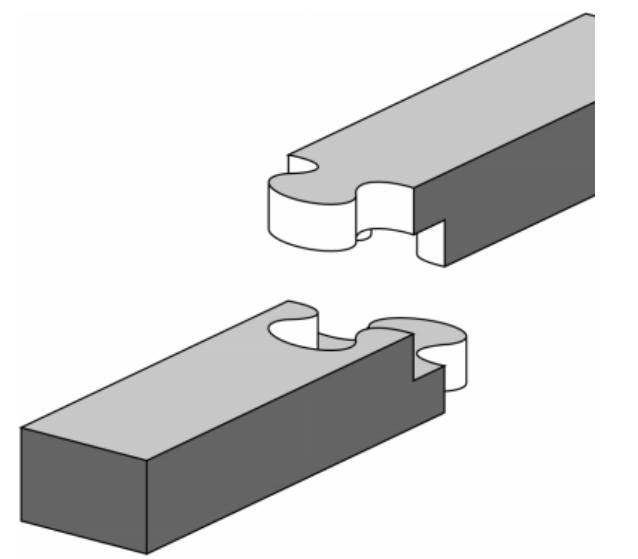
Shouldered Dovetail



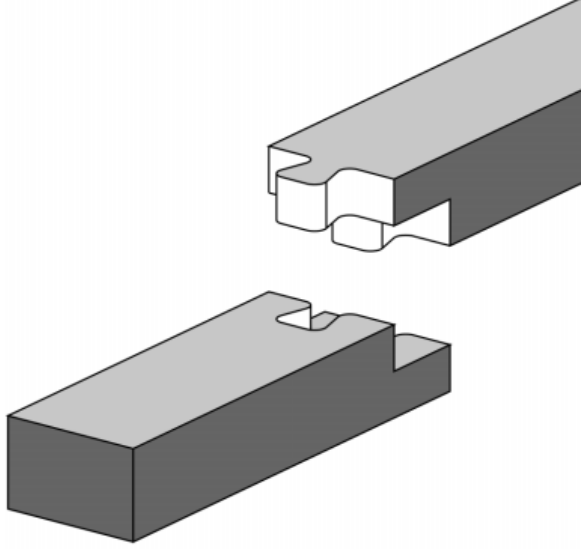
Oval-Shouldered Halving



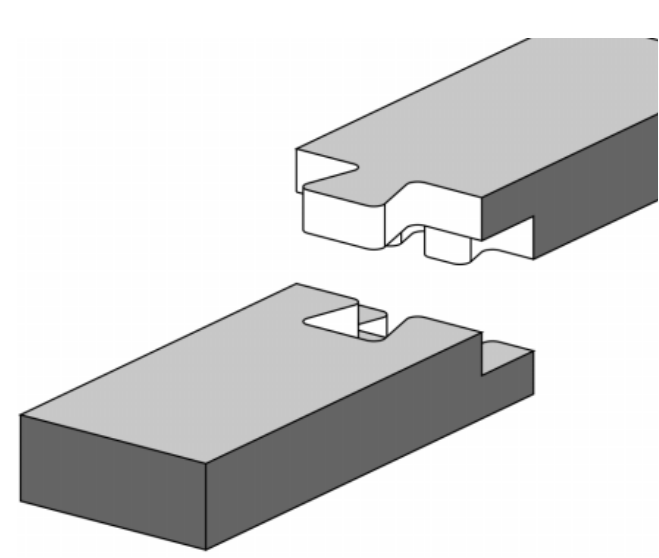
Jigsaw Miter Joint



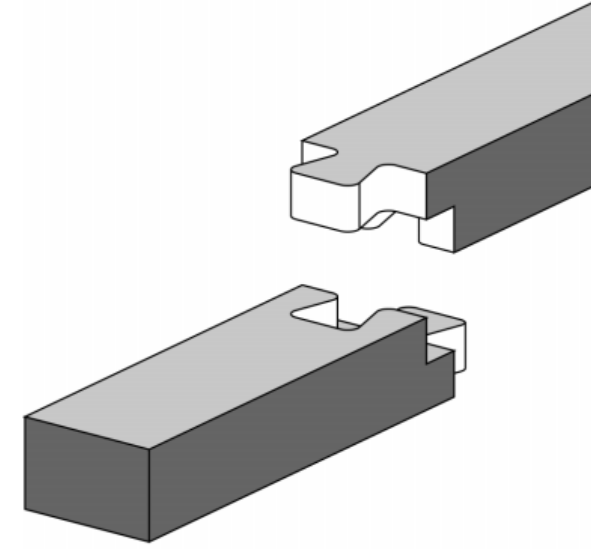
Double Jigsaw



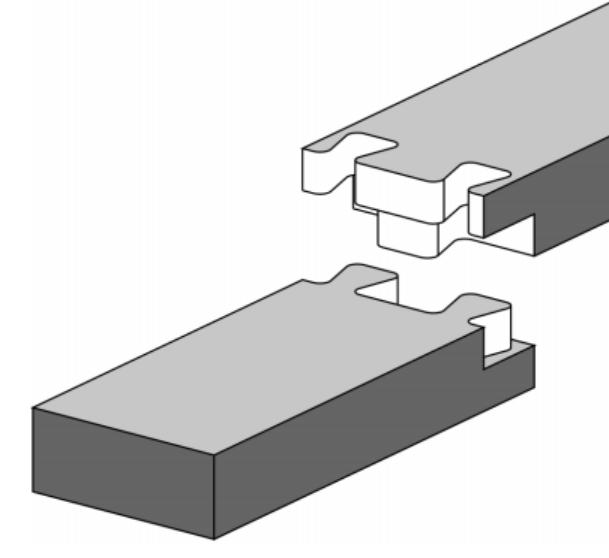
Double Dovetail



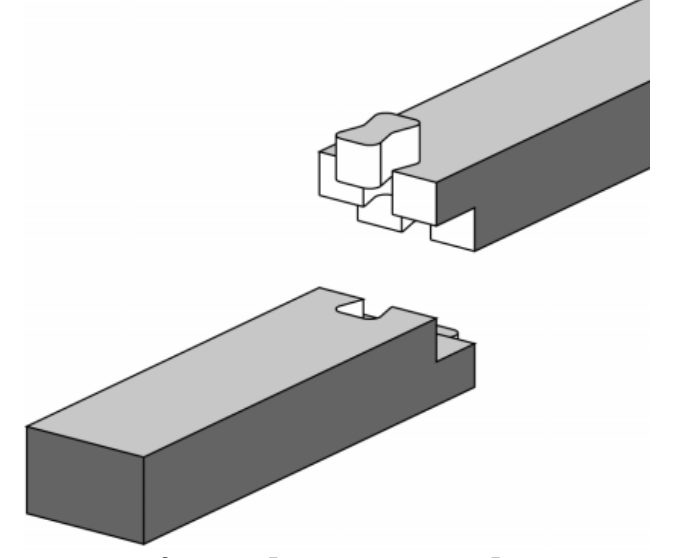
Triple Dovetail



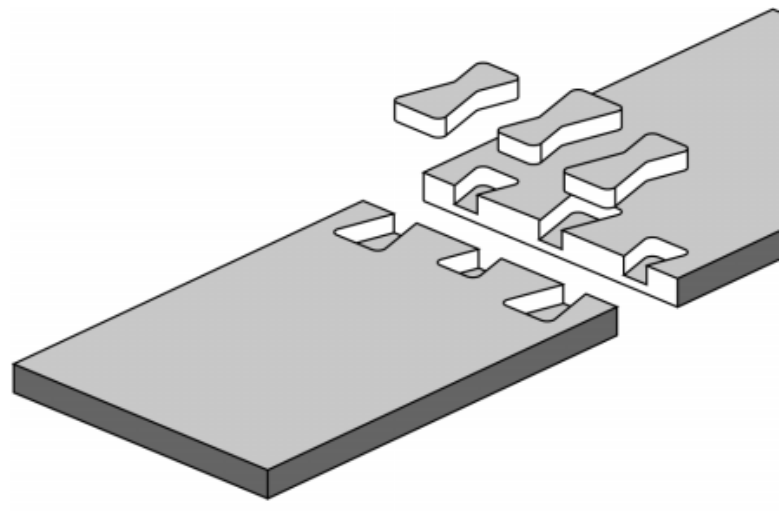
Symmetrical Double Dovetail



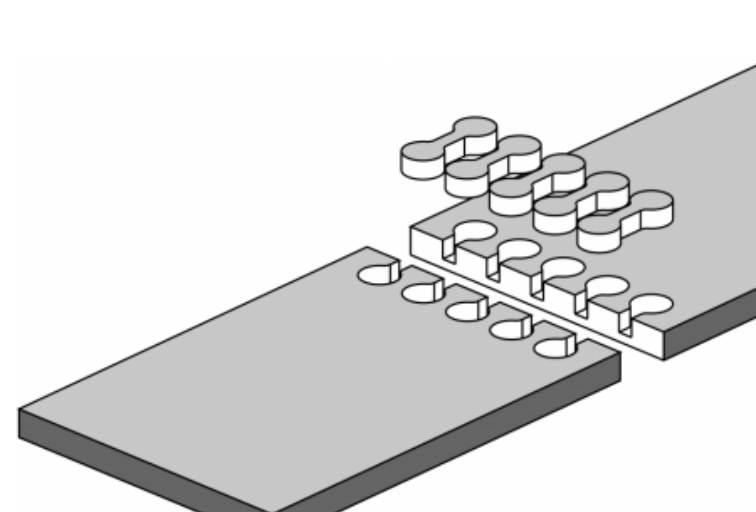
Shouldered Triple Dovetail



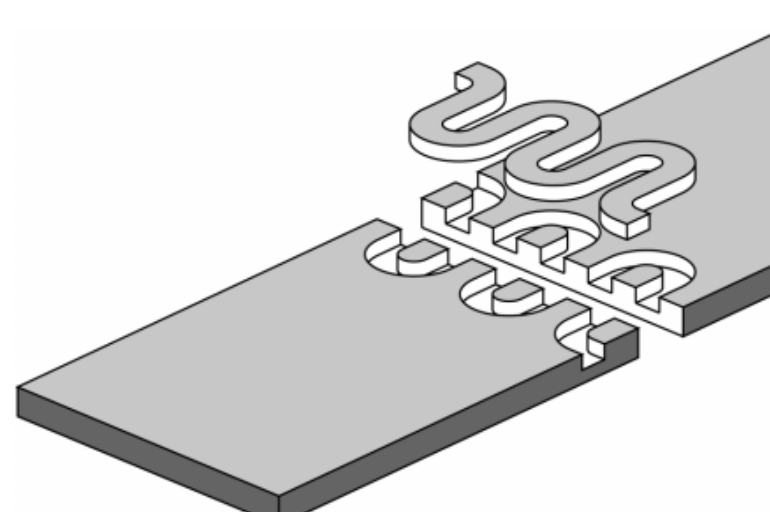
Plain Scarf With Dovetail Keys



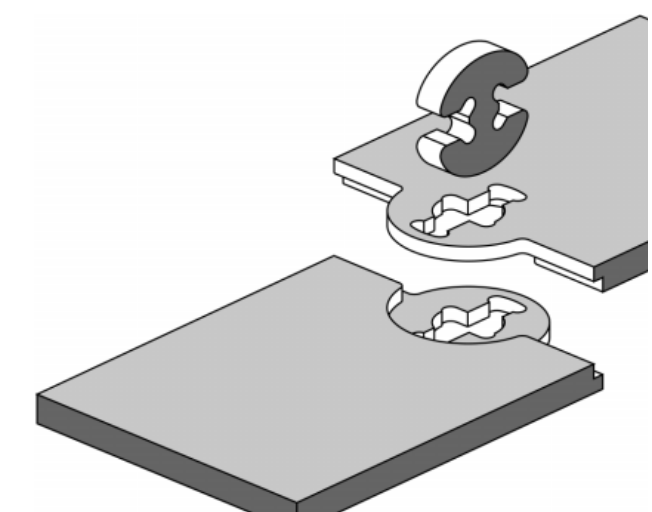
Board Lengthening With Asymmetrical Dovetail Keys



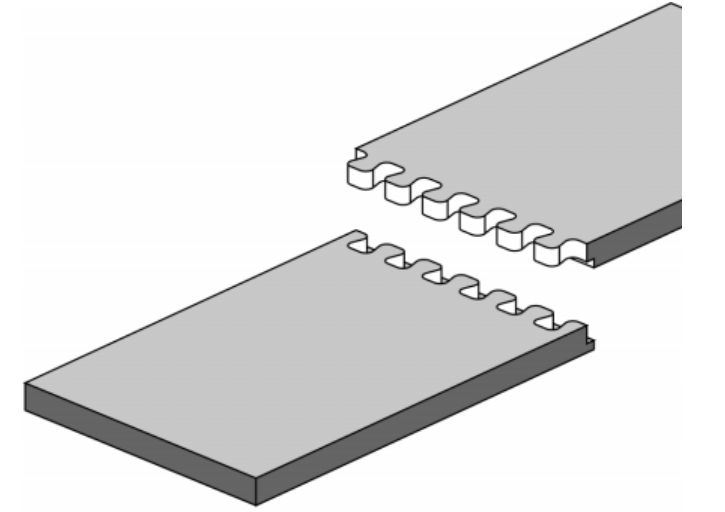
Lengthening With Jigsaw Keys



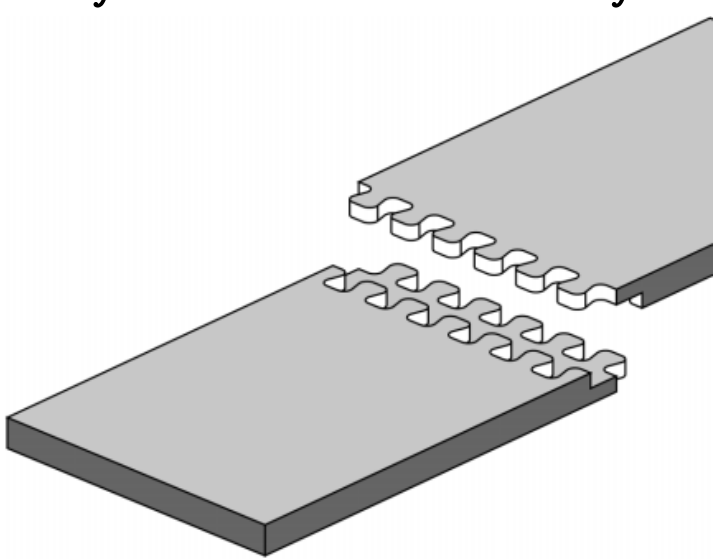
Lengthening With Meander Key



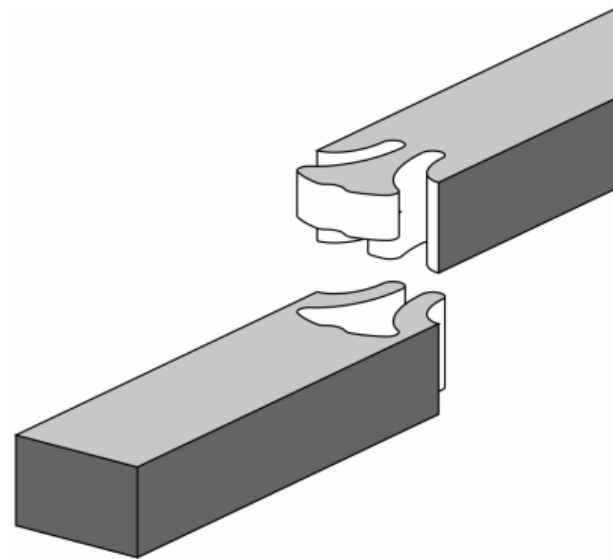
Detachable Lengthening With Key



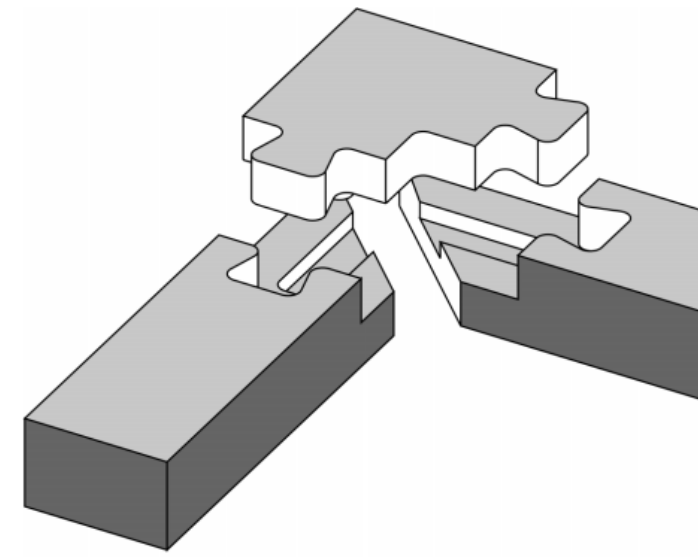
Lapped Dovetail



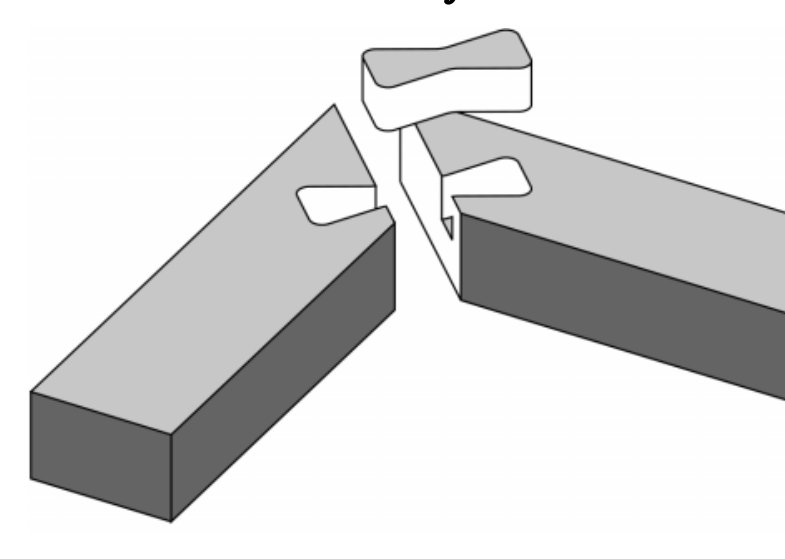
Double Lapped Dovetail



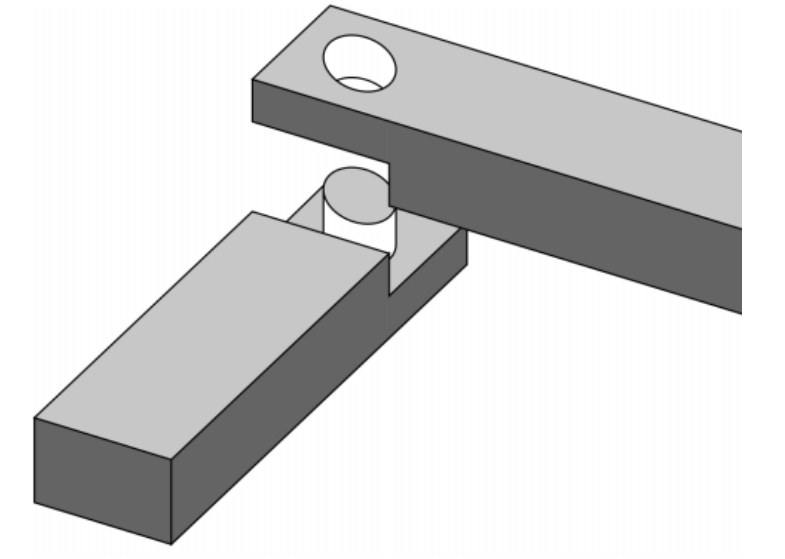
Ginko Scarf With Stub Tenons



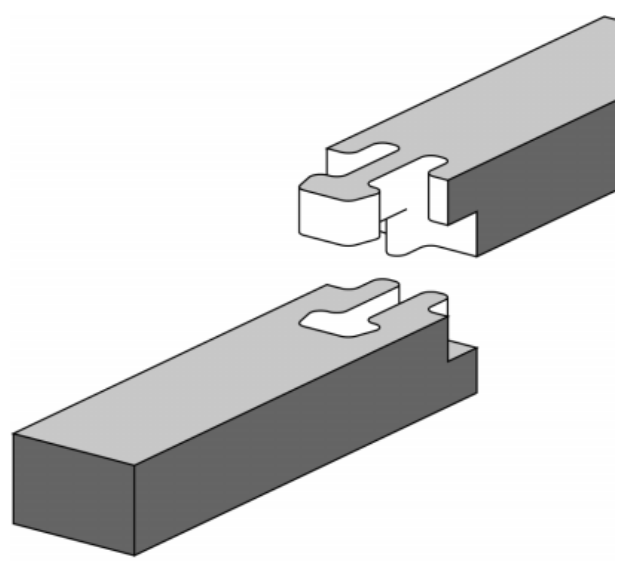
Dovetail Key Corner



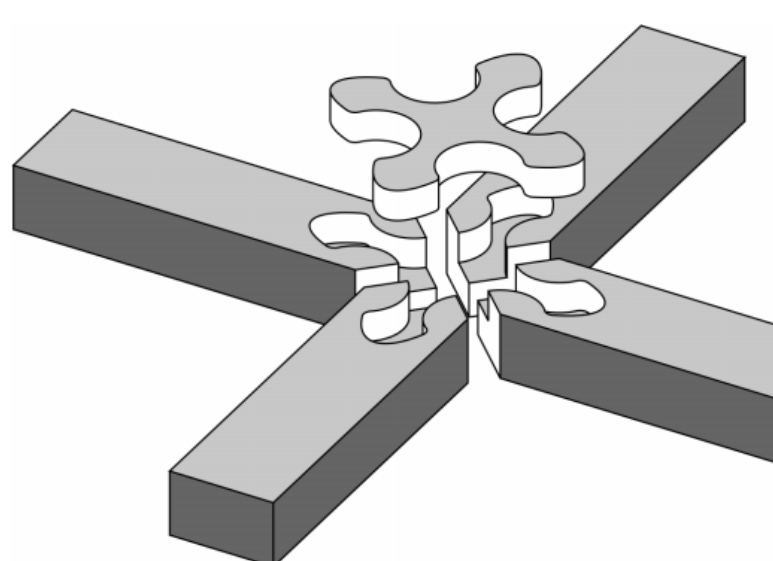
Miter Joint With Dovetail Key



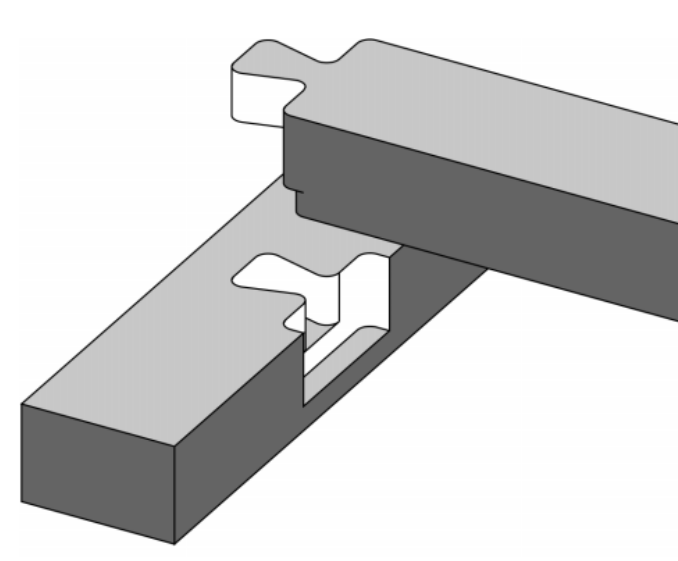
Halving With Elliptical Tenon



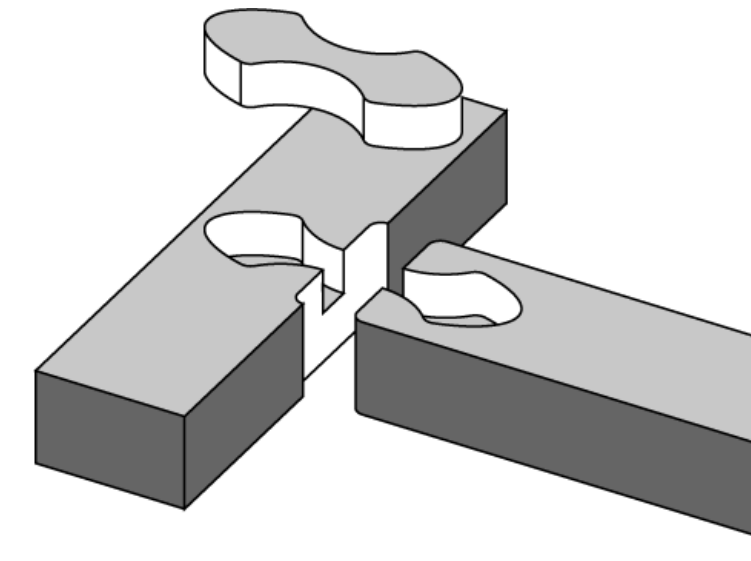
Gooseneck Mortise And Tenon With Stub Tenons



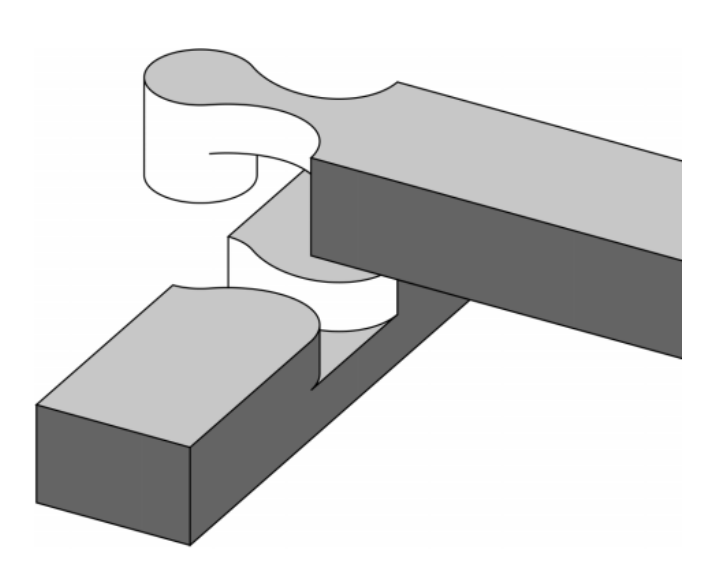
Cross Miter Joint With Jigsaw Key



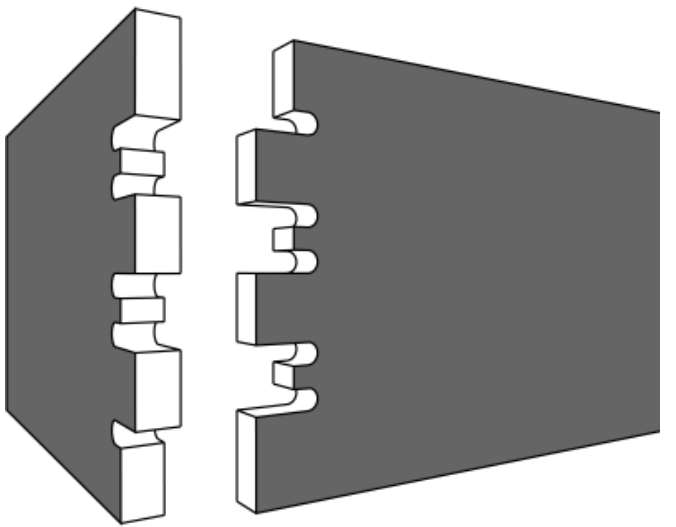
Shouldered Dovetail Halving



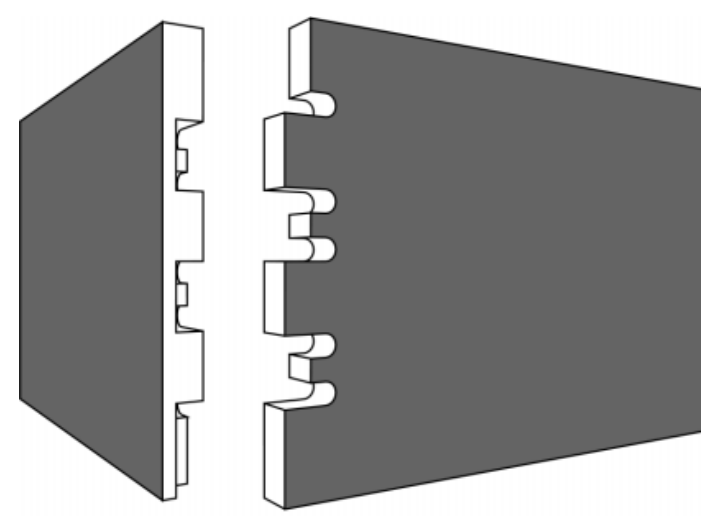
Stop Lap With Jigsaw Key



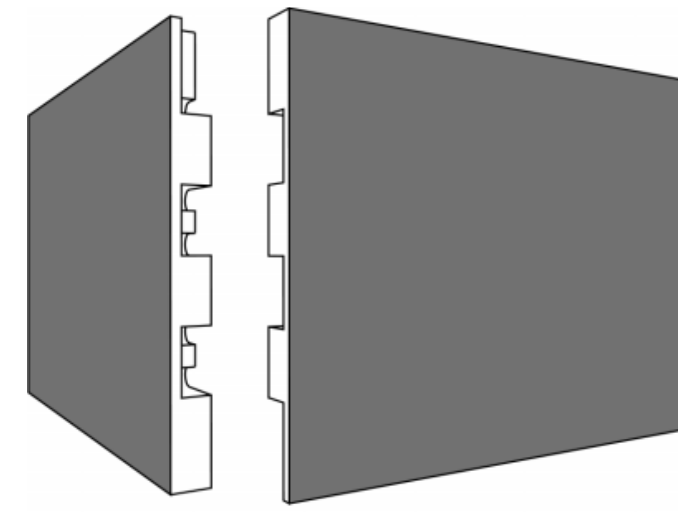
Hooked Jigsaw Halving



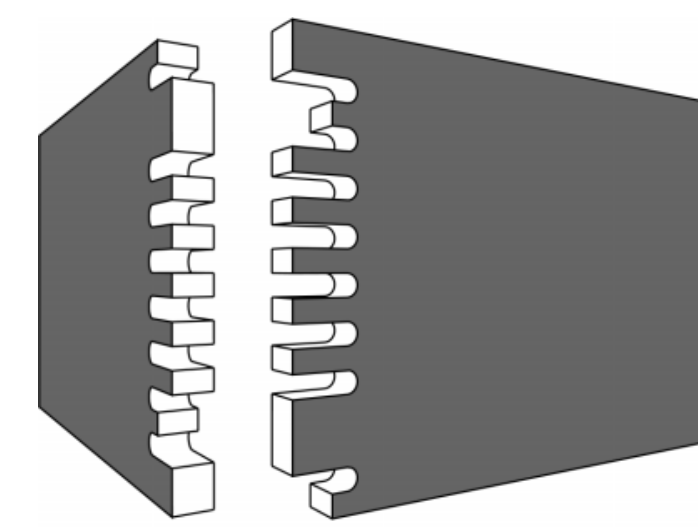
Finger Tenons



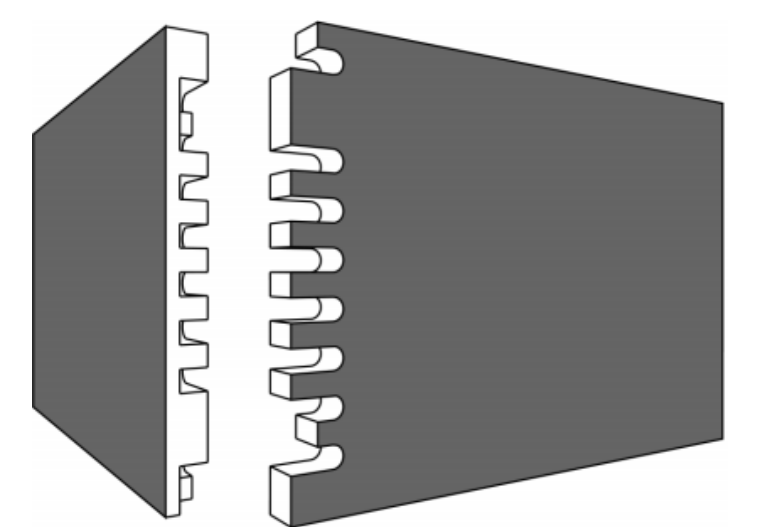
Lapped Finger Tenons



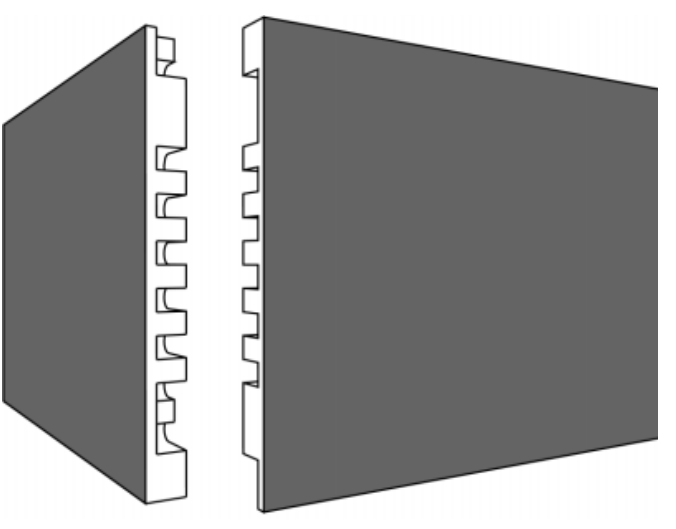
Secret Finger Tenons



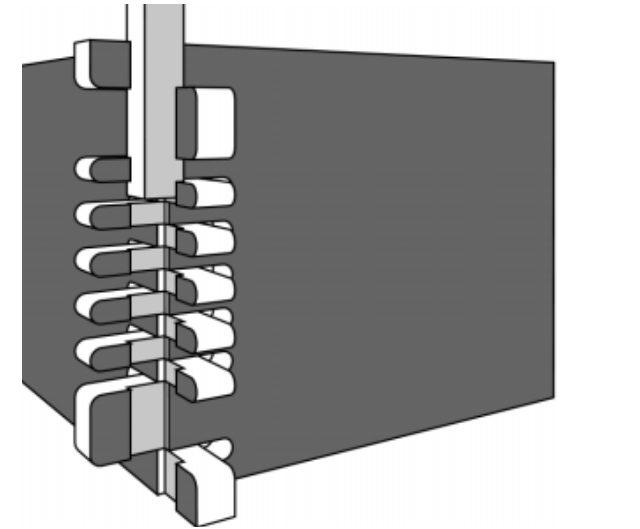
Fingertip Tenons



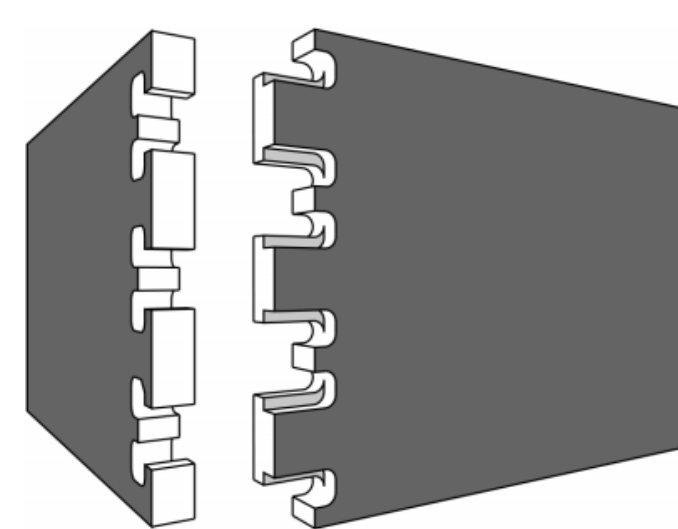
Lapped Fingertip Tenons



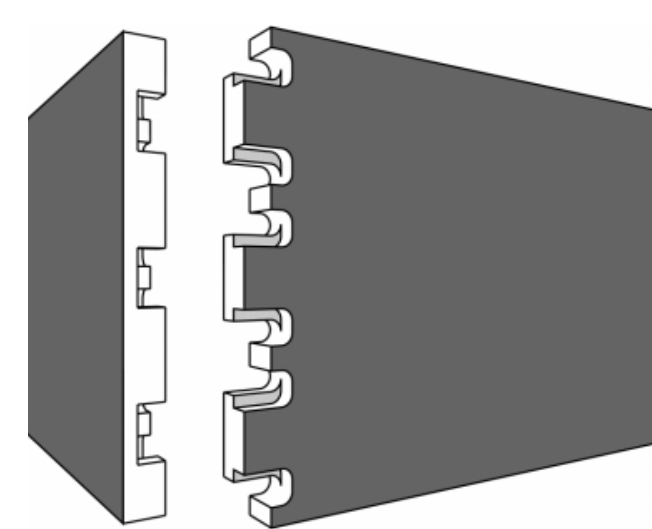
Secret Fingertip Tenons



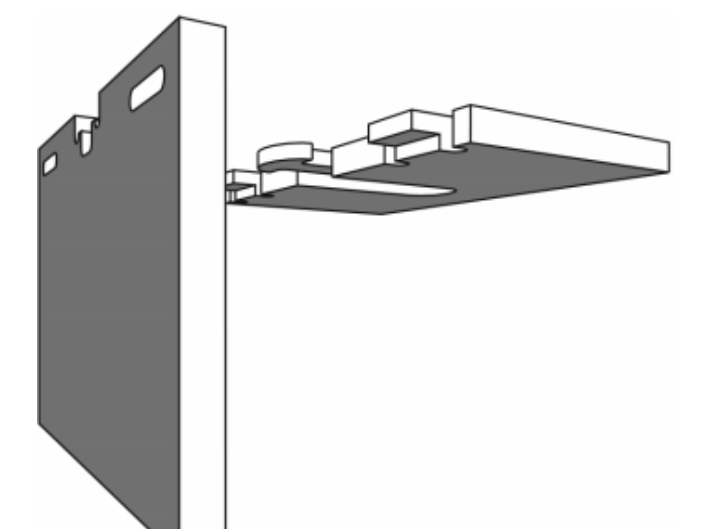
Fingertip Tenons With Key



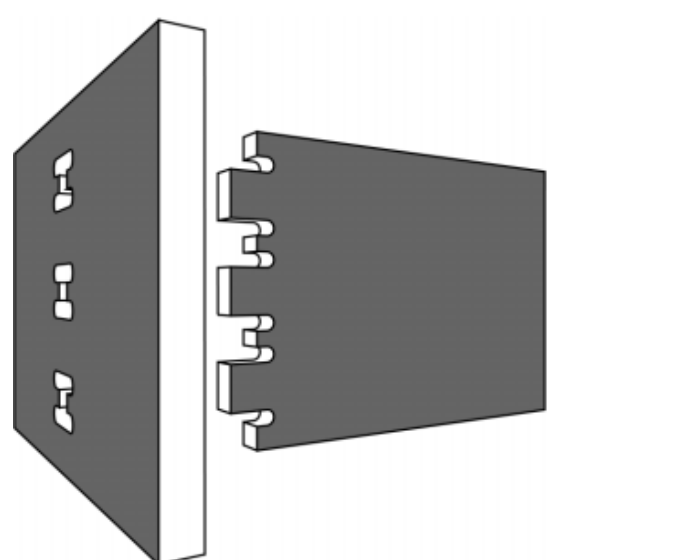
Hammer Tenons



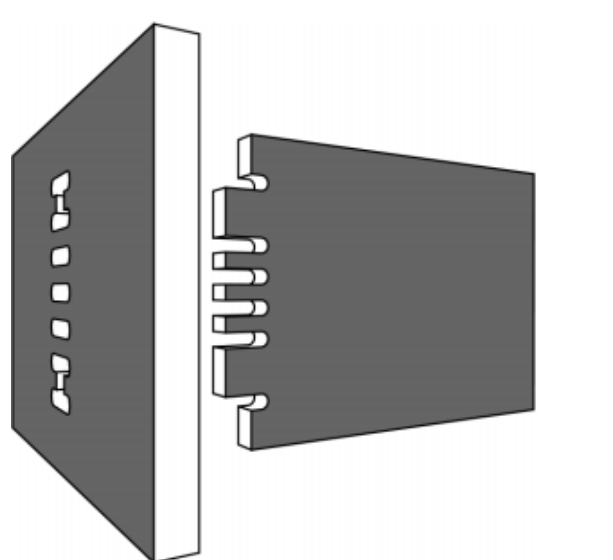
Lapped Hammer Tenons



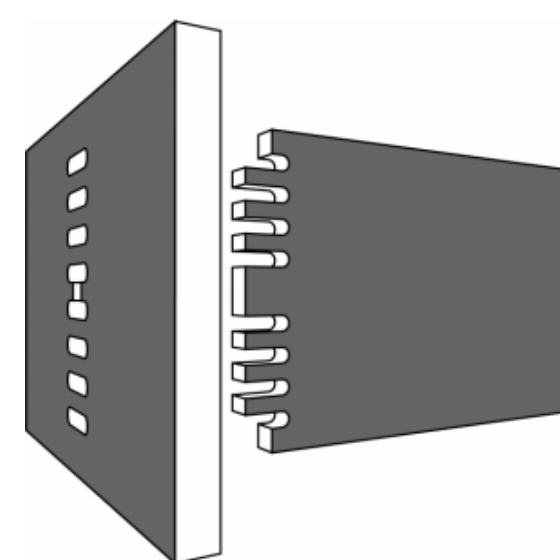
Catch Tenon



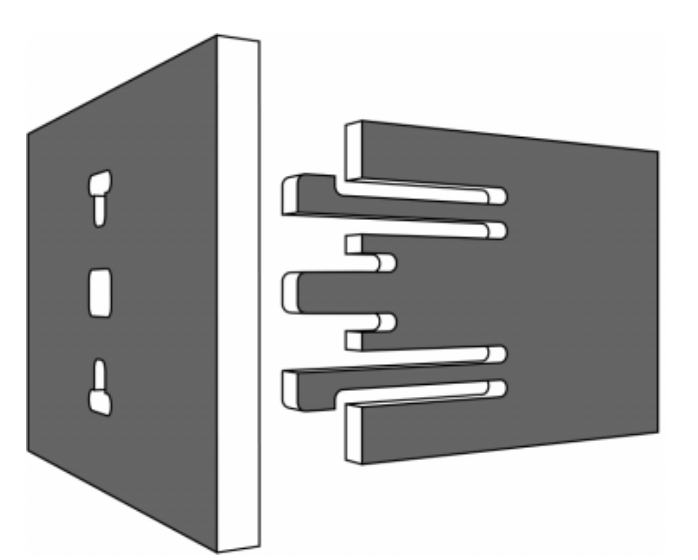
Throughhole Finger Tenons



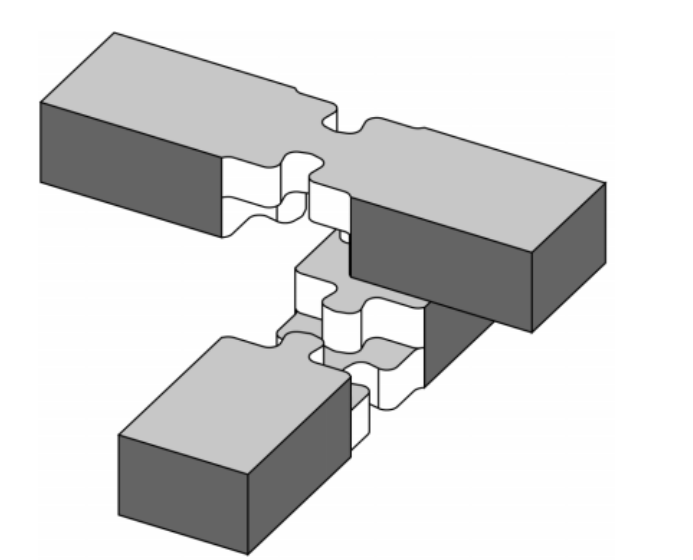
Fingertip Tenons With Lateral Positioning Tenons



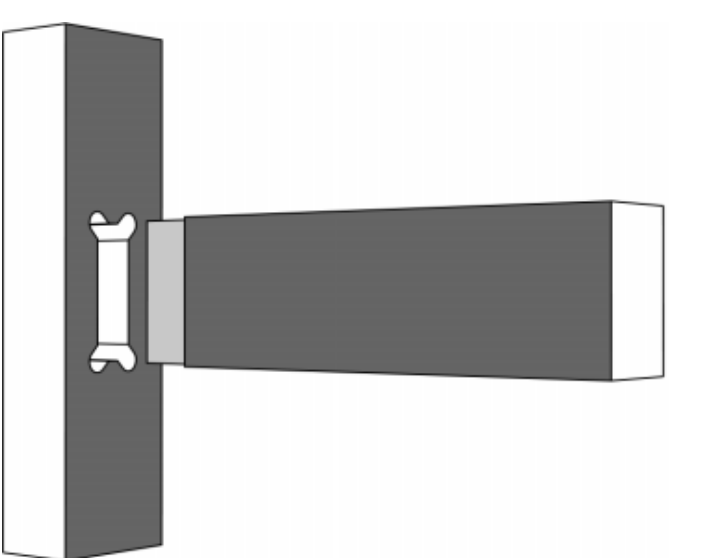
Fingertip Tenons With Central Positioning Tenon



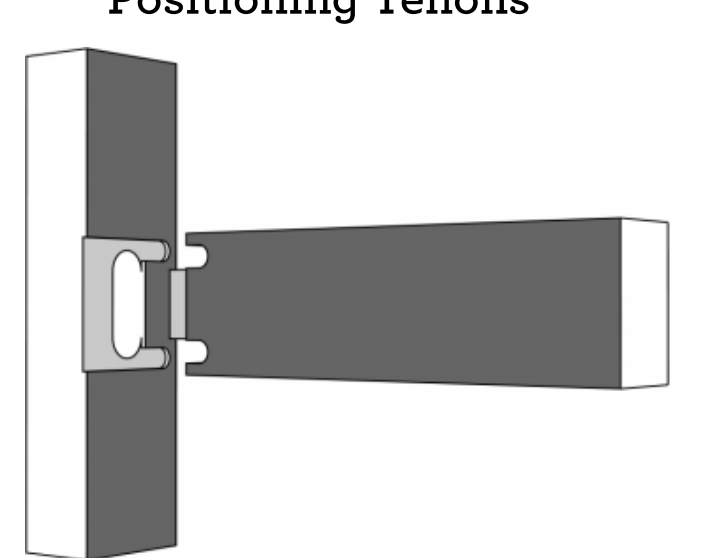
Clip Tenons



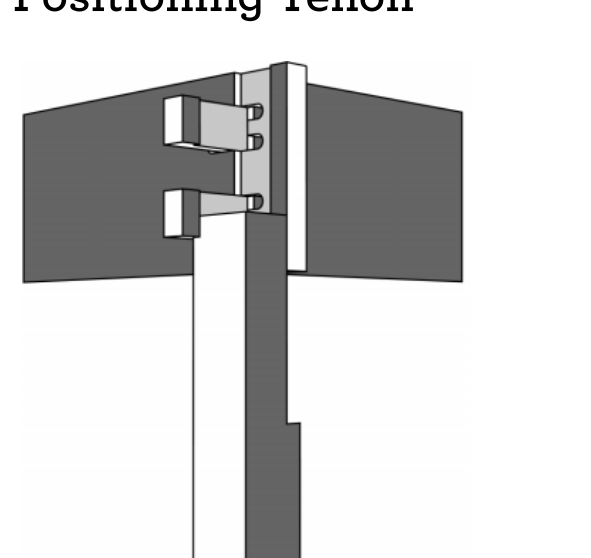
Dovetailed Cross Halving



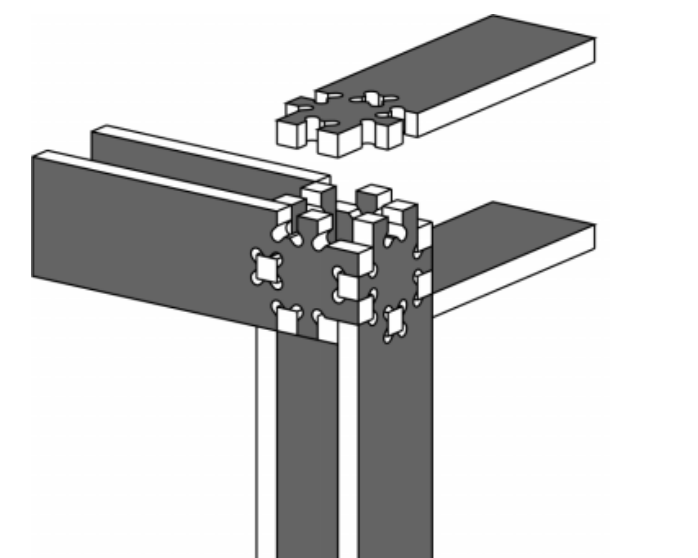
Tenon With Star Mortise



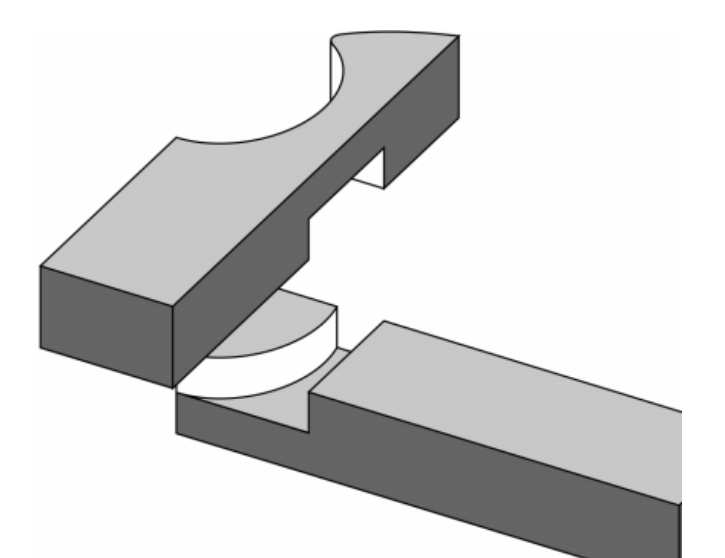
Shouldered Tenon



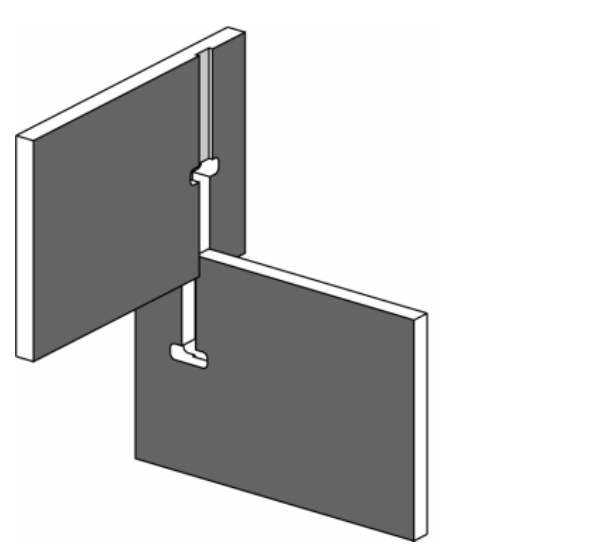
Locked Leg Framing



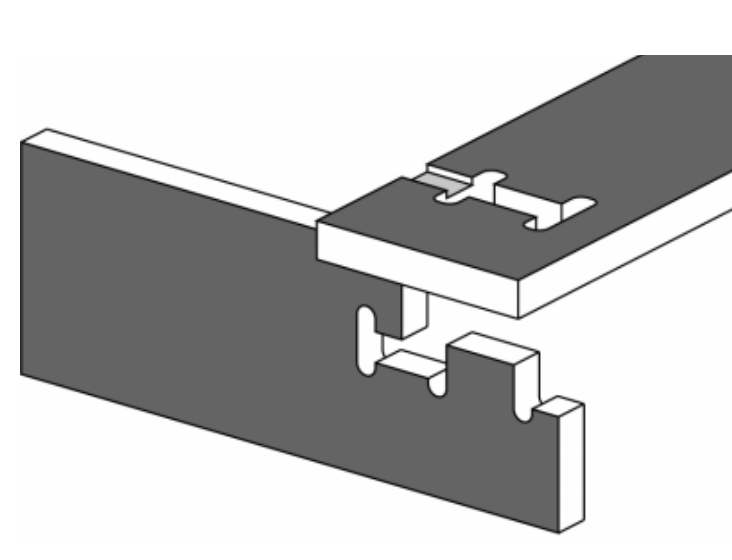
3d Finger Tenon



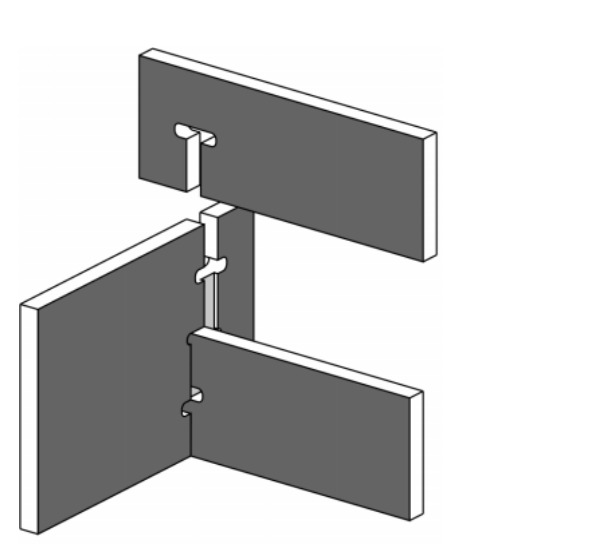
Double Jigsaw Hook Corner



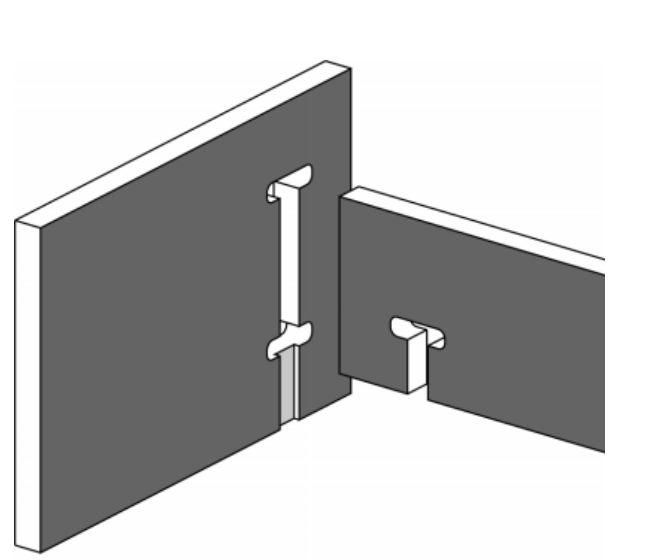
Slotting Joint



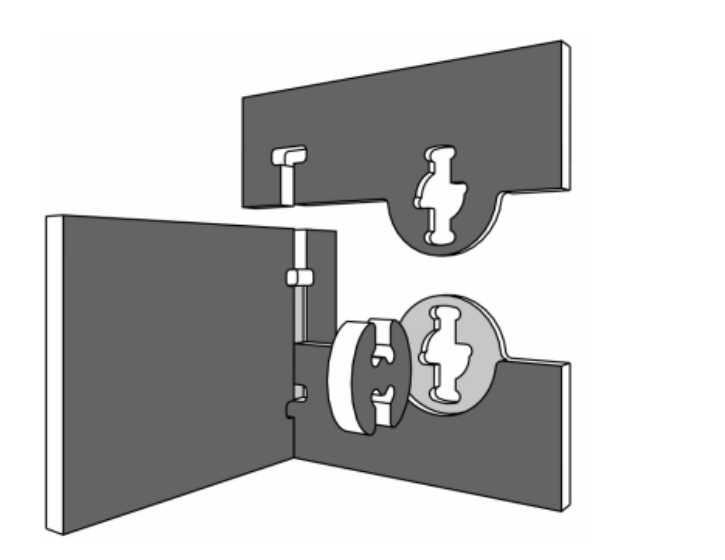
Slotting Gider Joint



Double Lapped Slotting Joint



Hooked Slotting Joint



Double Lapped Slotting Joint With Key