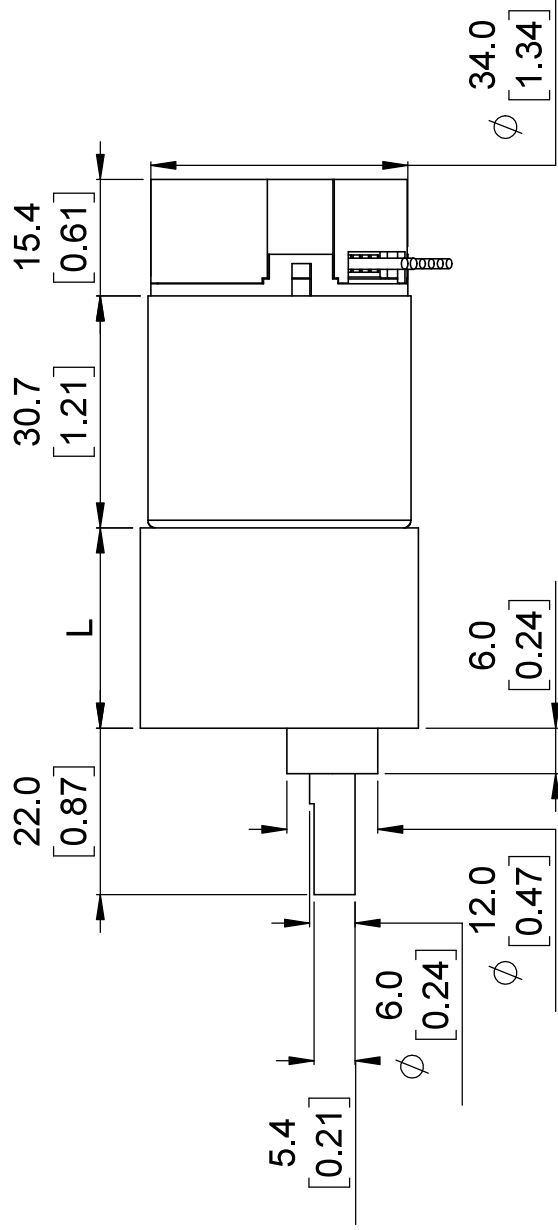
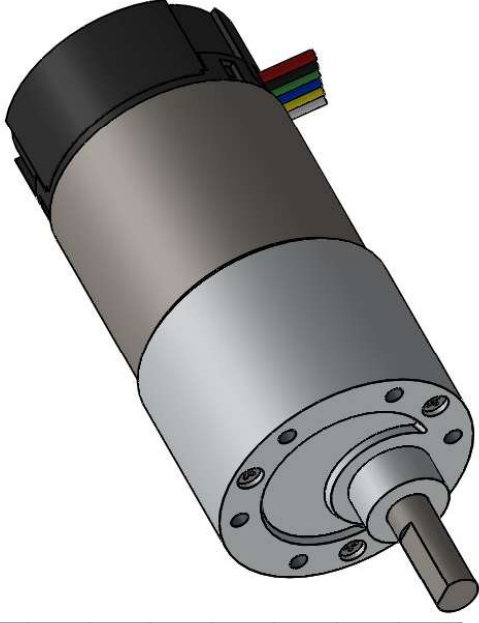


Gear ratio	L
19:1	22 mm [0.87 in]
30:1	22 mm [0.87 in]
50:1	24 mm [0.94 in]
70:1	24 mm [0.94 in]
100:1	26.5 mm [1.04 in]
131:1	26.5 mm [1.04 in]
150:1	26.5 mm [1.04 in]



<https://www.pololu.com/category/116/37d-mm-gearmotors>

Name:	37D mm Metal Gearmotors with 64 CPR Encoder		
Item number:	2822-2828		
Drawing date:	02 April 2019	Dev code:	—
Units:	mm [in]	Material:	Mixed



1. To get the specified scale, select 100% in print settings.

Scale: 1:1